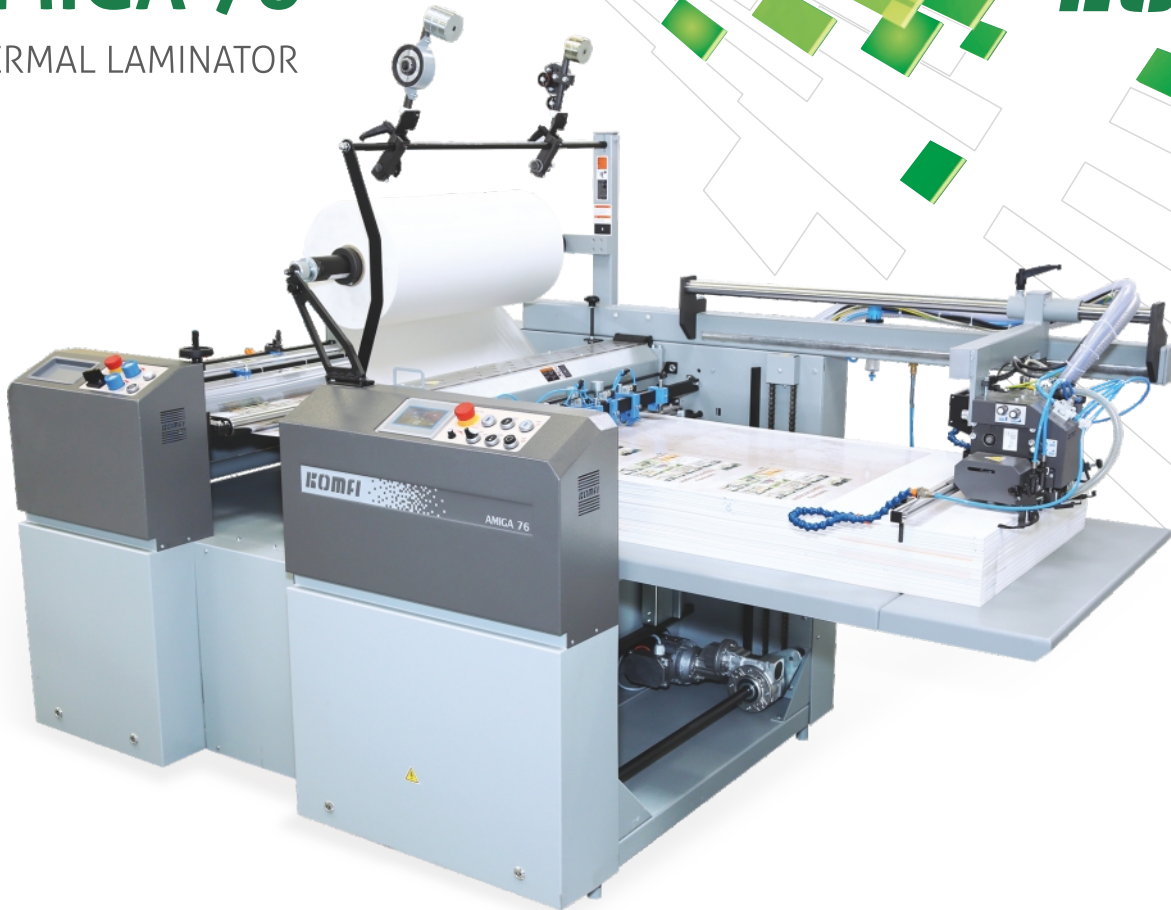


AMIGA 76

THERMAL LAMINATOR

KOMFI®



FLEXIBLE SOLUTION

FOR VARIETY OF SMALL JOBS UP TO B1 FORMAT

- Low investment to gain professional quality lamination
- Unique software features to minimise waste-sheets
- Double operator panel for accessing key controls
- Laminating rollers easily accessible via side opening for comfortable maintenance
- Wide range of options
- Designed for unattended operation
- Built-in help and self-diagnostics

- Processor controlled feeding head provides stable sheet feeding
- Additional separation air blowers, processor controlled, for reliable sheet feeding
- Electronically controlled gate for accurate and stable sheet overlap at any production speed
- Graphical touch screen for comfortable multi-language operation
- Continuous automatic checking of the whole lamination process (feeding, temperature, air pressure, sheet separation, etc.) to ensure 100% quality result

DESIGNED AND MANUFACTURED IN THE CZECH REPUBLIC



76×112 cm



25 m/min



HEAD



IR



TOUCH



DIGITAL
& OFFSET



115-600



3× 400V

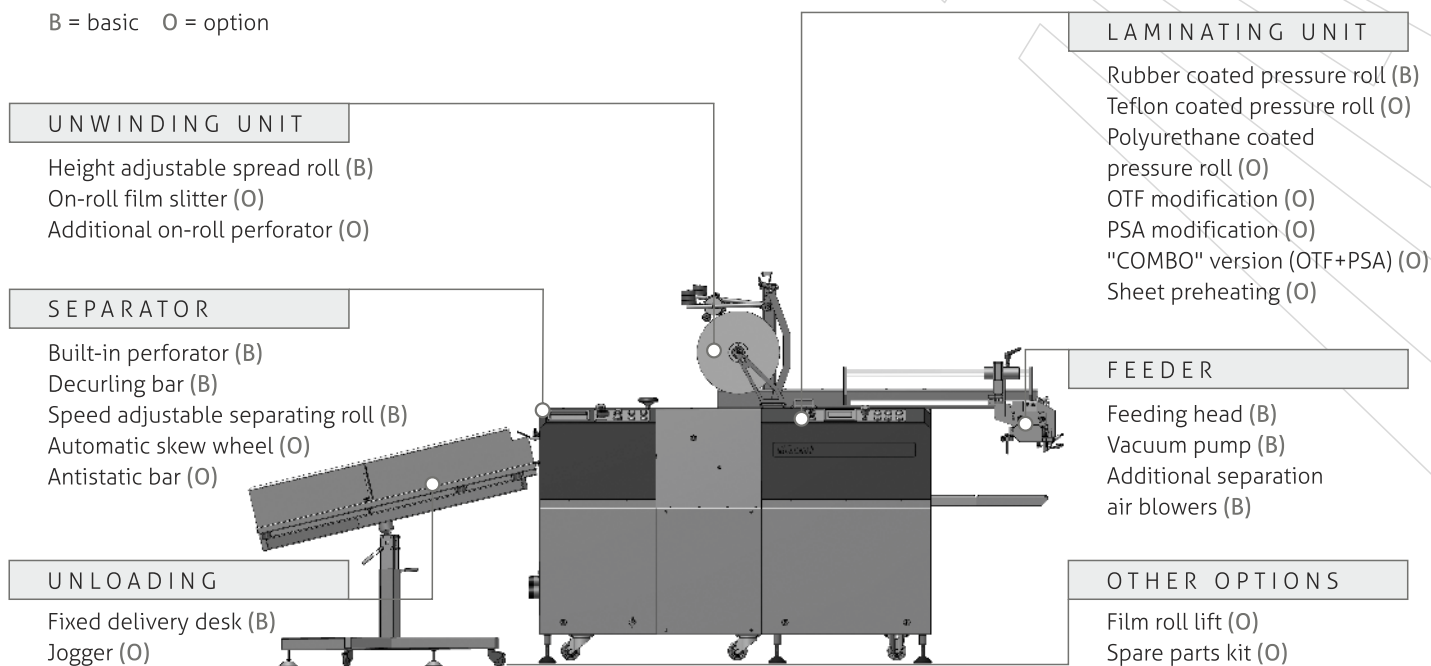


6 bar
60 l/min

AMIGA - USER FRIENDLY

MACHINE CONFIGURATION SCHEME

B = basic O = option



BASIC CONFIGURATION

- Feeding head
- Vacuum pump
- Additional separation air blowers
- Electronically adjustable sheet overlap control
- Mis-feed detection
- IR heated and PID controlled laminating cylinder
- Temperature drop detection
- Rubber coated pressure roller
- Air pressure decrease detector
- De-curling bar
- Automatic sheet separation using built-in perforator
- Electronically controlled snapping unit
- Speed adjustable separating roller
- Sheet separation detector
- Fixed delivery desk

OPTIONS

- Machine options in details on www.komfilaminators.com

CUSTOM-BUILT SOLUTIONS

- Possibility of individual machine modification based on specific requirements
- US version available

TECHNICAL PARAMETERS

Maximum speed of lamination:	25 m/min
Maximum sheet dimensions:	76 × 112 cm (30 × 44")
Minimum sheet dimensions:	20 × 20 cm (7.8 × 7.8")
Paper weight:	115-600 g/m ²
Thickness of laminating film:	24-50 μm
Kind of laminating film:	OPP, PET, Nylon
Time of laminating roll warm up (25±100 °C):	3.5 min
Sheet overlap accuracy (at constant laminating speed):	±1 mm
Machine dimensions including delivery desk (L × W × H):	370 × 127 × 160 cm
Air supply:	6 bar
Air consumption at stable run:	60 l/min

The technical parameters may change without prior notice. Find more details about the product and its technical parameters on www.komfilaminators.com.



WEB PAGE



VIDEO