

JUNIOR 36

THERMAL LAMINATOR

KOMFI®



SPECIFICALLY DESIGNED FOR SMALL BUSINESS IN-HOUSE LAMINATION

- Compact & easy to operate laminator for orders up to B3 sheet format
- Professional quality lamination in cost-effective package
- Very small machine footprint
- Easy manual feeding with accurate automatically controlled sheet overlap
- Various options to increase comfort of sheet feeding
- Ability to process any common laminating film for offset or digital output
- Automatic sheet separation using built-in perforator and unique tilting separating mechanism

DESIGNED AND MANUFACTURED IN THE CZECH REPUBLIC



36×70 cm



15 m/min



MANUAL



IR



TOUCH



DIGITAL
& OFFSET



115-350



1× 230V

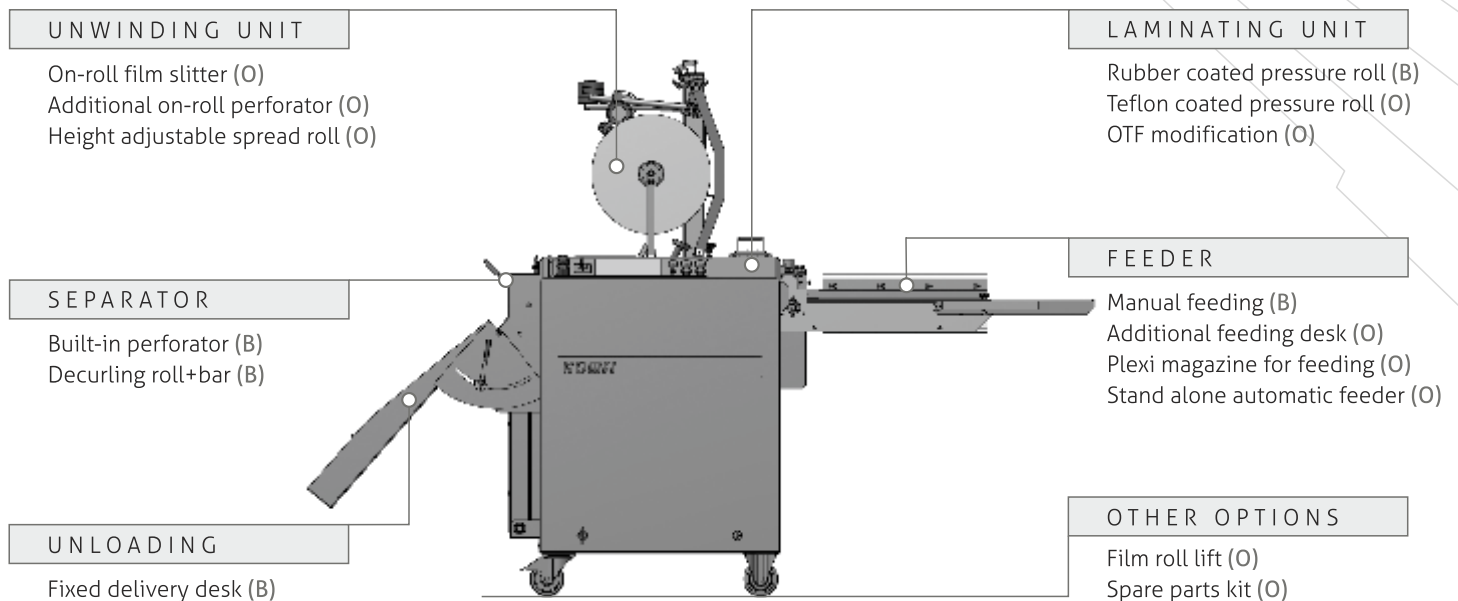


6 bar
8 l/min

JUNIOR - YOUR FIRST JOB

MACHINE CONFIGURATION SCHEME

B = basic O = option



BASIC CONFIGURATION

- Manual sheet feeding onto the belts of the feeding table
- Automatic sheet overlap control with possibility of disconnection (protection of print)
- Laminating cylinder heated by IR heater
- NBR rubber coated pressure roll
- Automatic sheet separation using built-in perforator and unique tilting separating mechanism
- Combined de-curling unit (bar and roller)
- Fixed delivery desk

OPTIONS

- Machine options in details on www.komfilaminators.com

CUSTOM-BUILT SOLUTIONS

- Possibility of individual machine modification based on specific requirements
- US version available

TECHNICAL PARAMETERS

Maximum speed of lamination:	15 m/min
Maximum sheet dimensions:	36 × 70 cm (14 × 27.5")
Minimum sheet dimensions:	20 × 20 cm (7.8 × 7.8")
Paper weight:	115-350 g/m ²
Thickness of laminating film:	24-50 μm (according to the type of film)
Kind of laminating film:	OPP, PET, Nylon
Time of laminating roll warm up (25±100 °C):	3.5 min
Sheet overlap accuracy (at constant laminating speed):	±1 mm
Machine dimensions including delivery desk (L × W × H):	212 × 77 × 150 cm
Air supply:	6 bar
Air consumption at stable run:	8 l/min

The technical parameters may change without prior notice. Find more details about the product and its technical parameters on www.komfilaminators.com.



WEB PAGE



VIDEO